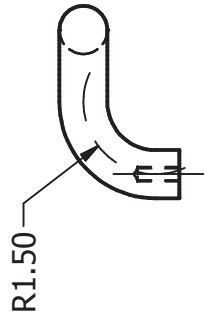
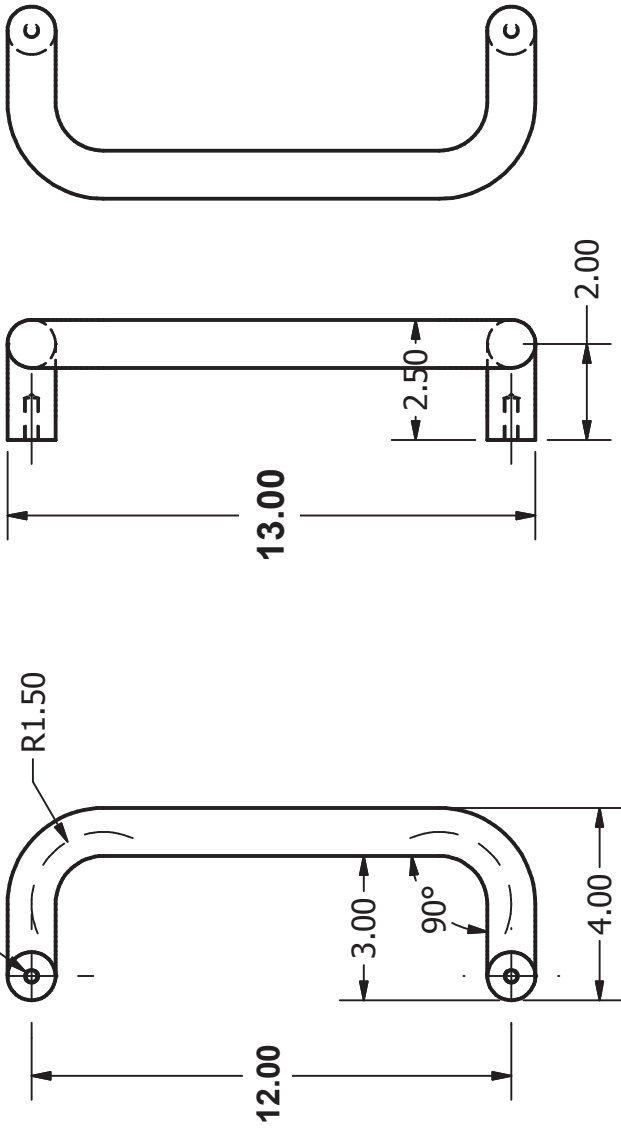




SCALE 1 / 4



5/16-18 UNC - 1B (2)



ACCESS DOOR WWW.accessdoor.us		AA1312		SIZE	MATERIAL	DWG NO/PART NO	REV
DECIMAL	FRACTIONAL	AUTODESK		A		0110-1in-SM	
.XXX ± .002	± 1/64	INVENTOR					
DECIMAL	ANGULAR	SCALE		25%	DATE	9/26/2005	DRAWN
.XX ± .005	± 1'	ENGSVR1					
DECIMAL							
.X ± .01							

B



A

B



A

1

2

1

2